



Serie **PM**



TREVI BENNE S.p.A.
Via A. Volta, 5
36025 Noventa Vic.na
Vicenza (VI) - Italy
Tel. +39 0444 760773
Fax +39 0444 861182
www.trevibenne.it
info@trevibenne.it

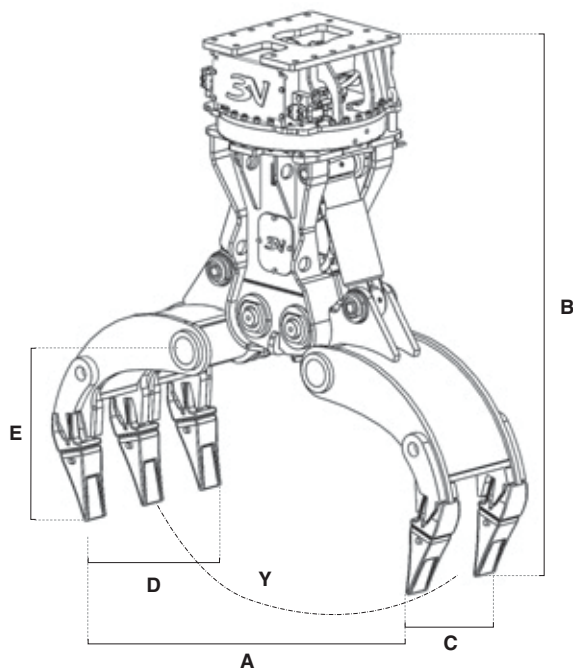
UK & IRISH IMPORTER
Sandhurst
Equipment Sales

Rochester, Kent ME2 4DZ
United Kingdom

Tel: 44 (0)845 120 6633
E-mail: sales@sandhurst.co.uk
Website: www.sandhurst.co.uk



Serie **PM**



		PM 15	PM 20	PM 30
	t.	15 : 20	20 : 30	30 : 40
	kg.*	1250	1850	3200
A	mm.	1570	1750	2180
B	mm.	2020	2200	2800
C	mm.	400	530	630
D	mm.	710	810	980
E	mm.	800	850	1100
Y	t.	6	10	15
Cap. SAE	m ³	0,6	0,9	1,2
	t.	24	35	54
	bar	310	310	310
	l/min.	100 / 200	180 / 250	200 / 300
MAX	bar	140	140	140
MAX	l/min.	10	10	10
		3/4" gas	1" gas	1" gas
		3" R 1/2" gas	3" R 1/2" gas	3" R 1/2" gas

(*) THE ABOVE MENTIONED WEIGHTS DO NOT INCLUDE THE EXCAVATOR ATTACHMENT. SPECIFICATIONS ARE SUBJECT TO CHANGE WITHOUT NOTICE.